

Grandview™ GV230

Appliance Specifications - Freestanding Wood Stoves

Product Reference Information			
Cat. No.	Description	Ship. Weight	Ship. Volume
H8338	Grandview™ 230 Wood-Burning Stove	385 lb.	20.09 cu. ft.

NOTES:

- Dimensions shown are approximations only (+/- 1/4")
- Diagrams, illustrations and photographs are not to scale – consult installation instructions. Product designs, materials, dimensions, specifications, colors and prices are subject to change or discontinuance without notice.
- Approved for residential, manufactured home, and alcove installations.
- Optional Kits Available:

Door Trim Kit

Blower

Outside Air Kit

Deco Trim

Leg's (choice of three style of legs in black painted, brushed nickel or nickel finish)

Pedestal Base

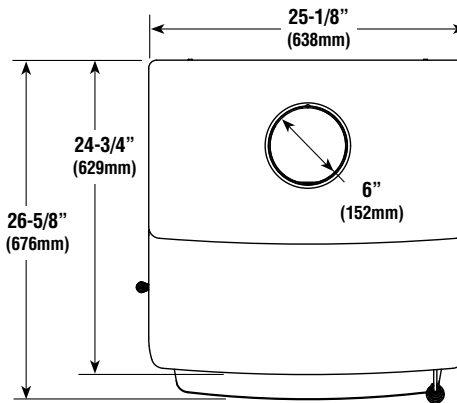
Ash Drawer for legs or for pedestal

- ① Square-foot heating capacities and burn times are approximations only. Actual performance may vary depending upon home design and insulation, ceiling heights, climate, condition and type of wood used, appliance location, burn rate, accessories chosen, chimney installation and how the appliance is operated.

Specifications

Stove Pipe Diameter Single Wall or Double Wall	6" (152 mm)
Log Length	16" W x 18" D Max. (406mm W x 457mm D Max.)
Firebox	17" W x 19" D Max. (432mm W x 483mm D Max.)
Glass Viewing Area	16-1/2" W x 11-5/16" H (419mm W x 287mm H)
EPA Test Load: Cord Wood: ①	28,200 BTUs/hr. 76,000 BTUs/hr.
Maximum Burn Times ①	12 hours
Heating Capacity ①	1200 to 2200 sq. ft.

Notes



Listing

The Grandview™ Model GV230 woodstove is safety listed with the following agency:

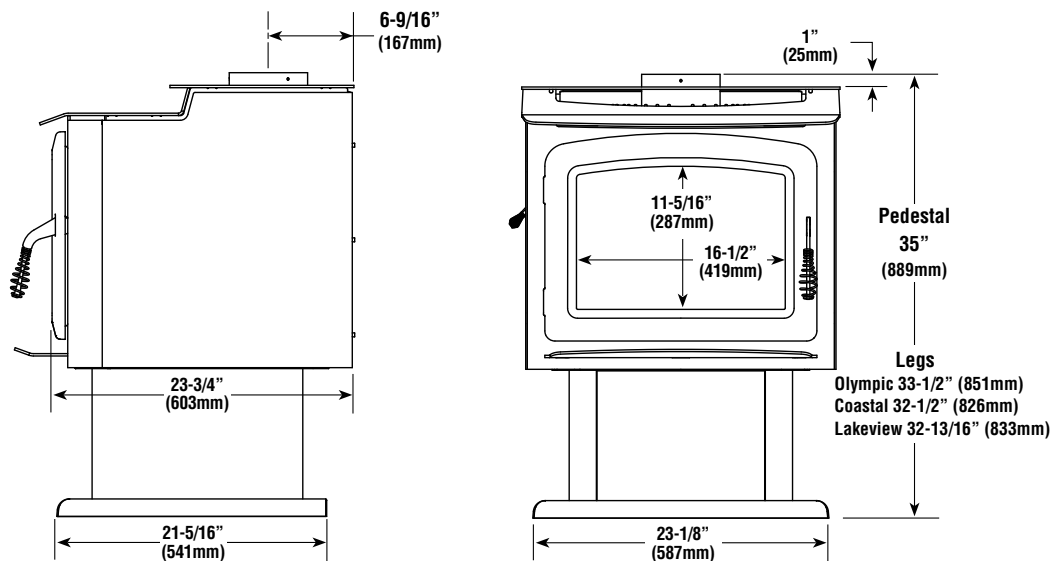
- PFS Corporation, Tested to UL 1482, ULC S627



Report No. 14-182

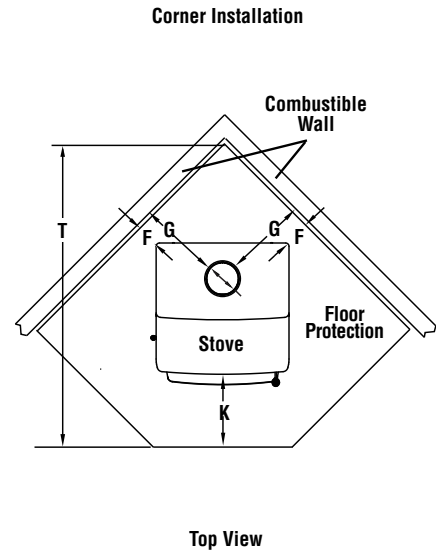
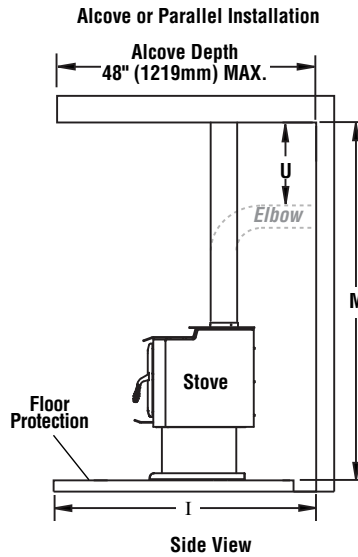
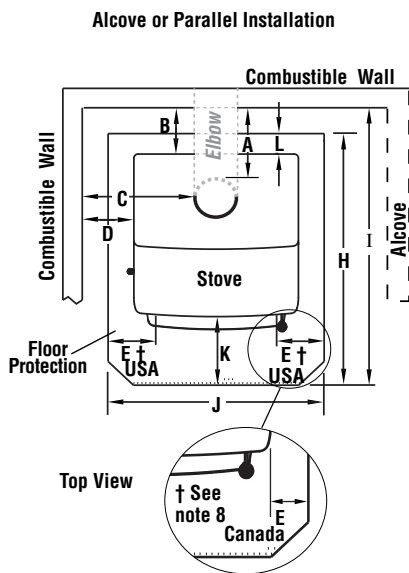
EPA certification test emission value 3.6 g/hr per 2015 standard

Dimensions



Grandview™ GV230

Clearances



USA (inches)



PIPE	INSTALLATION	A (3)	B (1)	C (3)	D (1)	E (8)	F (1,4)	G(3,4)	H (2)	I (6)	J (2)	K (7)	L (5)	M	T (6)	U
Single Wall	Residential-Vertical Vent	16	12-3/8	22	12-1/2	8	5-11/16	16	38-5/8	51	33	16	0	90	58-7/8	N/A
Single Wall	Residential-With Elbow	19	15-3/8	23	13-1/2	8	5-11/16	16	38-5/8	54	33	16	0	90	58-7/8	19
Double Wall	Residential or Mobile Home-Vertical Vent	10	6-3/8	20	10-1/2	8	4-11/16	15	38-5/8	45	33	16	0	90	57-1/2	N/A
Double Wall	Residential or Mobile Home-With Elbow	10	6-3/8	21	11-1/2	8	4-11/16	15	38-5/8	45	33	16	0	90	57-1/2	10
Double Wall	Alcove-Vertical Vent	13	9-3/8	22-1/2	13	8	N/A	N/A	38-5/8	48	33	16	0	90	N/A	N/A

CANADA (millimeters)



PIPE	INSTALLATION	A (3)	B (1)	C (3)	D (1)	E (8)	F (1,4)	G(3,4)	H (2)	I (6)	J (2)	K (7)	L (5)	M	T (6)	U
Single Wall	Residential-Vertical Vent	406	314	559	318	200	145	406	1235	1346	1045	450	200	2286	1495	N/A
Single Wall	Residential-With Elbow	483	391	584	343	200	145	406	1235	1422	1045	450	200	2286	1495	483
Double Wall	Residential or Mobile Home-Vertical Vent	254	160	508	267	200	119	381	1193	1193	1045	450	200	2286	1461	N/A
Double Wall	Residential or Mobile Home-With Elbow	254	160	533	293	200	119	381	1193	1193	1045	450	200	2286	1461	254
Double Wall	Alcove-Vertical Vent	330	238	572	331	200	N/A	N/A	1235	1270	1045	450	200	2286	N/A	N/A

Footnotes:

- 1- These dimensions to the stove body are for reference only. Actual distances should be measured from the stove's flue collar.
- 2- Minimum noncombustible hearth pad dimensions.
- 3- Clearances to connector pipe shall be measured from the flue collar of the stove.
- 4- Not applicable to alcove installations.
- 5- In corner applications, when installed at minimum back wall clearances, the required floor protection is dimensioned off the back plane of the stove, therefore the floor protection required off the back corners (at a 45 degree angle) only needs to extend to the wall. This situation will only occur in CANADA installations.
- 6- Reference dimension only, to assist in planning the installation.
- 7- Measured from front of floor protection to the front of firebox.
- 8- USA=8" (200mm) from door opening, Canada=8" (200mm) from sides and back of unit.