

Montlake™ ML230

Appliance Specifications - Wood-Burning Fireplace Inserts

Product Reference Information			
Cat. No.	Description	Ship. Weight	Ship. Volume
H8658	Montlake™ 230 Wood-Burning Insert	390 lb.	26.6 cu. ft.

NOTES:

- Dimensions shown are approximations only (+/- 1/4")
- Diagrams, illustrations and photographs are not to scale – consult installation instructions. Product designs, materials, dimensions, specifications, colors and prices are subject to change or discontinuance without notice.
- Approved for residential and manufactured home installations.
- Optional Kits Available:
Door Trim Kit

❶ Square-foot heating capacities and burn times are approximations only. Actual performance may vary depending upon home design and insulation, ceiling heights, climate, condition and type of wood used, appliance location, burn rate, accessories chosen, chimney installation and how the appliance is operated.

Specifications

Flue Size	6" (152 mm)
Log Length	16" W x 18" D Max. (406mm W x 457mm D Max.)
Firebox	17" W x 19" D x 12-1/2" H Max. (432mm W x 483mm D x 318mm H Max.) Volume = 2.3 cu. ft.
Glass Viewing Area	16-1/2" W x 11-5/16" H (419mm W x 287mm H)
EPA Test Load: Cord Wood: ❶	28,200 BTUs/hr. 76,000 BTUs/hr.
Maximum Burn Times ❶	12 hours
Heating Capacity ❶	1200 to 2200 sq. ft.

The Montlake™ Model ML230 wood-burning fireplace insert is safety listed with the following agency:

- PFS Corporation, Tested to UL 1482, ULC S628

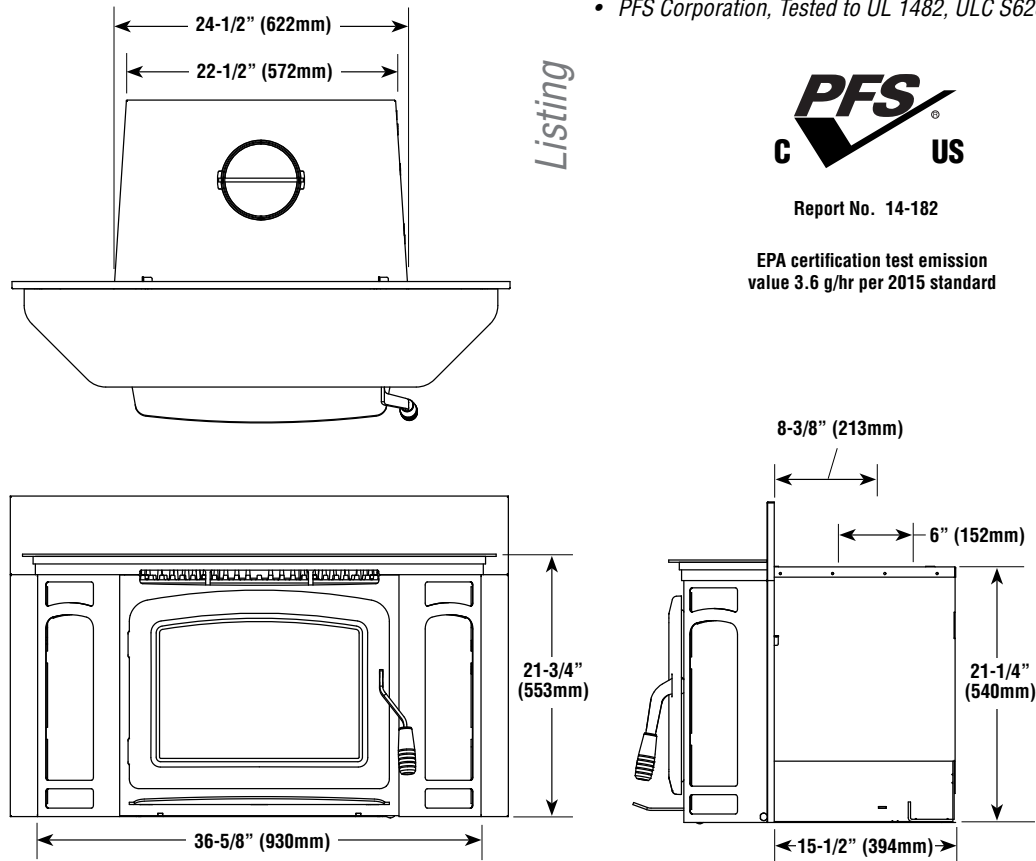
Listing



Report No. 14-182

EPA certification test emission value 3.6 g/hr per 2015 standard

Dimensions



Montlake™ ML230

Clearances

Model	A*(3)	B*	C*	D*	E(1)
ML230	USA-15" CAN-381mm	USA-13" CAN-330mm	4" 102mm	1" 25mm	USA-8" CAN-203mm

Model	F (1)	G	H	J(2)	M
ML230	USA-16" CAN-450mm	15-1/2" 394mm	21-1/4" 540mm	5-3/8" 137mm	36-3/4" 934mm

* Reduced clearances may be available for A, B, C and D dimensions per NFPA 211 - latest edition, Standard for Chimneys, Fireplaces, Vents and Solid Fuel-Burning Appliances (in Canada CSA B365 - latest edition). See section on "Reduction of Appliance Clearance with Specified Forms of Protection."

** Side view of optional mantel deflector shown.

(1)Hearth extension reductions: 2" (51 mm) reduction for 2" (51 mm) raised hearth. (USA) 16" minimum hearth extension on all stoves and inserts as measured from the door opening of the unit. (Canada) 18"(450 mm) minimum hearth extension on all stoves and inserts as measured from the door opening of the unit. Minimum distance of floor protection to the side = 8" (200 mm). This is measured from the sides of the door opening in the USA and from the sides of the insert in Canada.

(2) J = Maximum lintel depth without flue offset or smoke deflector.

(3) If the mantel projection is 8" or less, the 'A' mantel clearance may be reduced to 14".

NOTES:

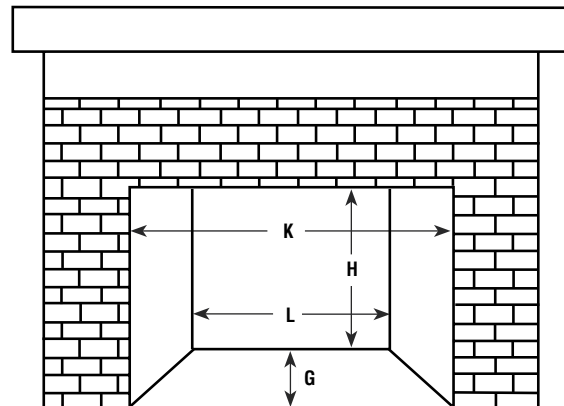
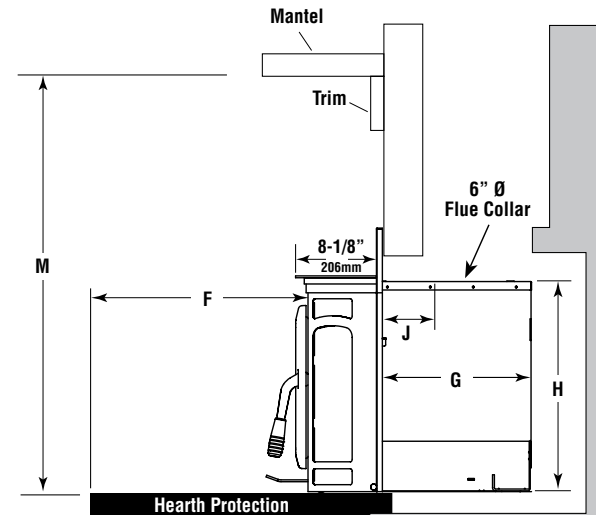
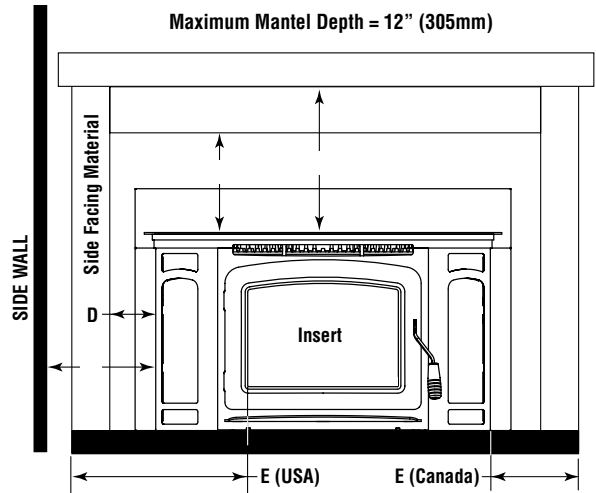
- Facing material that projects more than 3/4" (19 mm) from the wall is considered a mantel or side wall.

	Montlake™ 230	ZC Fireplace UL 127	Masonry Fireplace UBC Chapter 37
G	Depth Min.	15-1/2" (374mm)	15-1/2" (374mm)
H	Height Min.	21-1/2" (546mm)	21-1/2" (546mm)
J	Lintel Max. Depth ①	5-3/8" (137mm)	5-3/8" (137mm)
K	Front Width Min.	36" (914mm)	25" (635mm)
L	Rear Width Min.	22-1/2" (572mm)	22-1/2" (572mm)

① Without use of adjustable offset box or smoke deflector

Hearth Extension / Thermal Protection Requirements			
Bottom Clearance	Thermal Protection Thickness	Hearth Extension Depth	
		USA	Canada
0" (0mm)	1-1/2" (38mm)	16" (406mm)	18" (450mm)
4-1/2" (114mm)	1/2" (13mm)	18" (450mm)	18" (450mm)
7-1/2" (191mm)	0" (0mm)	16" (406mm)	18" (450mm)

*Distance between hearth and the bottom of the appliance



Minimum Fireplace Size

Hearth