

Epic™ 33/40

Appliance Specifications

DIRECT-VENT FREESTANDING GAS STOVE

Product Information

Product Reference Information			
Cat.#	Model	Ship. Wt.	Ship. Volume
F2325	EPIC33/40-DVS-C	211 lb.	25.0 cu. ft.

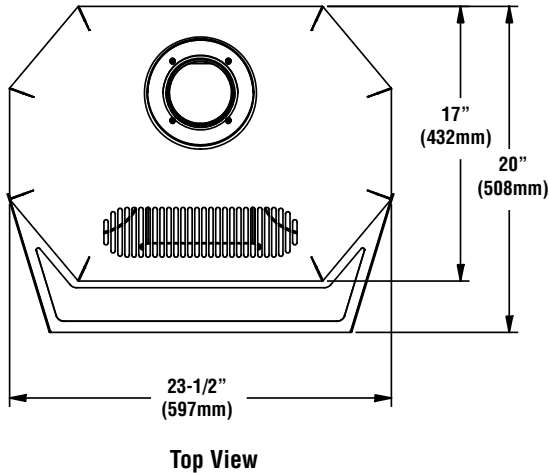
NOTE: The Epic™ 33/40 gas stove is shipped as a 40,000 BTU unit. An optional kit is available that enables field conversion to 33,000 BTU. There is only one stove model number. These appliances come standard with a blower (150-cfm variable-speed)

Options

Options

- Wall Thermostat, Remote Controls or Wall Timer
- Black, Gold, Brushed Nickel or Black Nickel Trim

Stove Dimensions



BTU's

Input (BTU)		
Fuel	Epic 40	Epic 33
	Input Rate (BTU / HR)	
Natural Gas	40,000 / 27,000	33,000 / 23,000
Propane	39,000 / 30,000	31,000 / 24,000

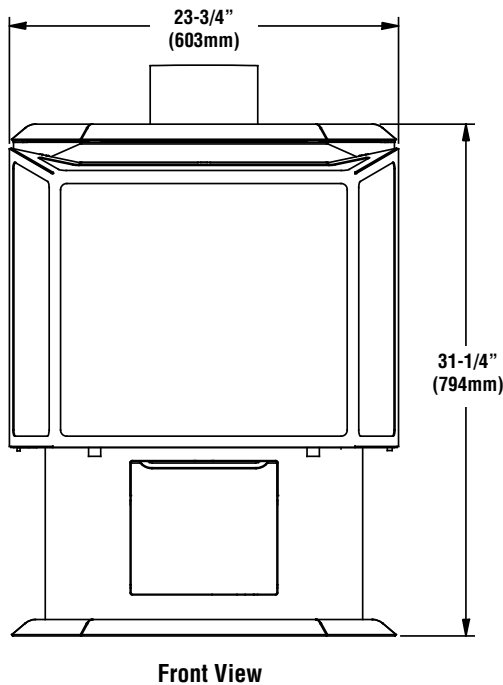
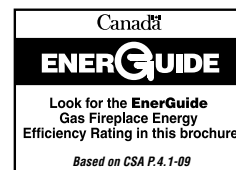
Listing Information

Efficiency		
	Epic 40	Epic 33
EnerGuide P4	64% - NG 65% - LP	57% - NG 64% - LP

This appliance has been tested and certified to ANSI Z21.88 / CSA 2.33 Standard for Vented Gas Fireplace Heater and CGA 2.17-M91 and UL 307B Gas Burning Heating Appliances for Manufactured (Mobile) Homes in both USA and Canada.



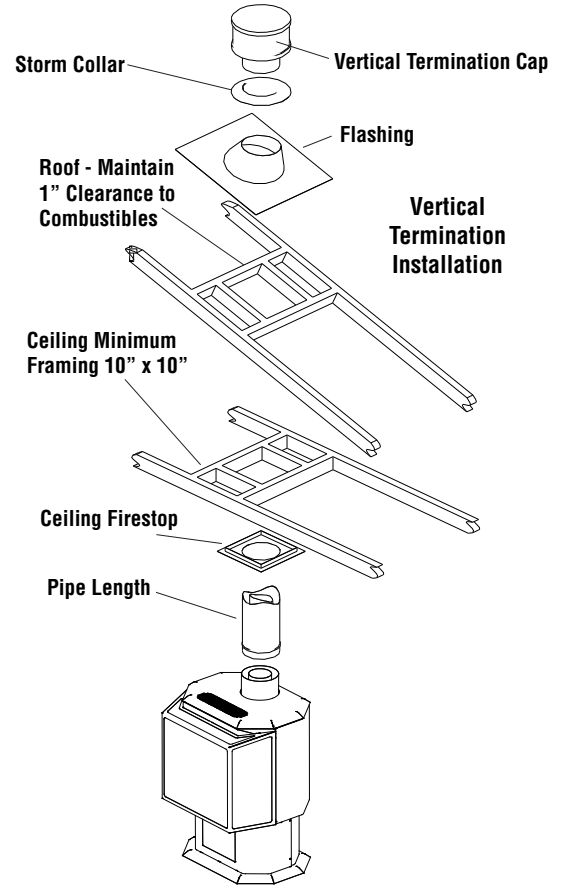
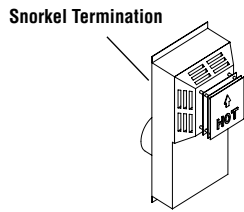
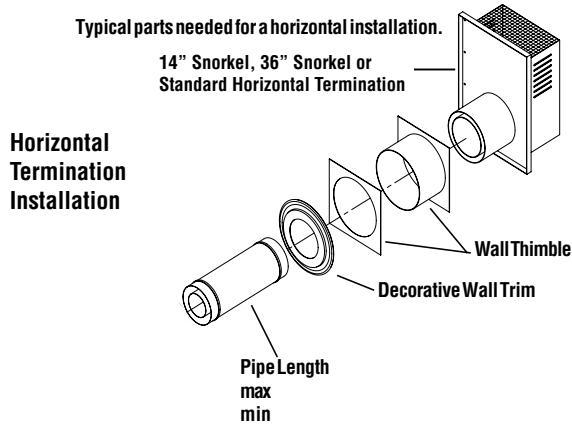
14-161



NOTE: Diagrams, illustrations and photographs are not to scale - consult installation instructions. Product designs, materials, dimensions, specifications, colors and prices are subject to change or discontinuance without notice.

Epic™ 33/40

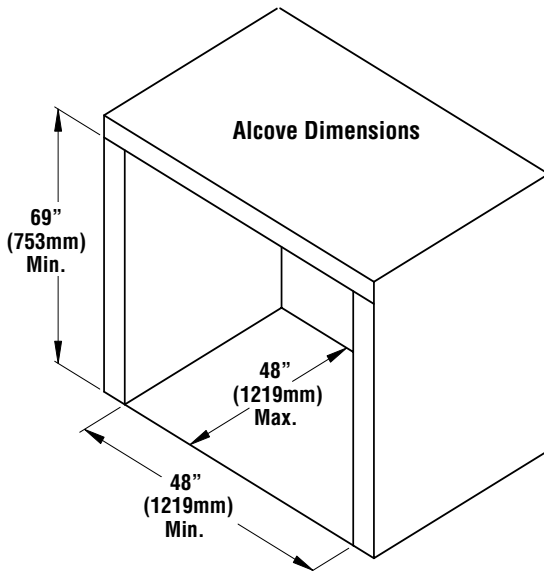
Venting



Floor Protection

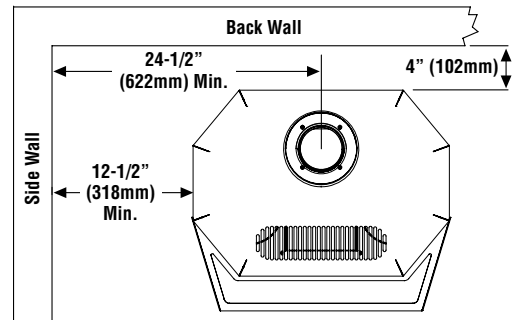
A noncombustible hearth pad is not required. This stove may be installed on a combustible surface. Also, the floor beneath the stove must be stable, level, hard and strong enough to support the stove without a tipping hazard.

Alcove Dimensions



Clearances

Parallel Installation



Corner Installation

