

# Striker™ Models S160T-B and S160A-B



## Appliance Specifications - Freestanding Wood Stove

| Product Reference Information |   |              |              |
|-------------------------------|---|--------------|--------------|
| Cat. No.                      | Description   | Ship. Weight | Ship. Volume |
| H7883                         | S160A-B, Stove, Arch Black Door, Nickel Nameplate       | 316 lb.      | 18.9 cu. ft. |
| H7884                         | S160T-B Stove, Traditional Black Door, Nickel Nameplate | 316 lb.      | 18.9 cu. ft. |

Specifications

|  |                                      |
|--|--------------------------------------|
| Stove Pipe Diameter<br>Single Wall or Double Wall          | 6" (152 mm)                          |
| Log Length   | 18" Max. (457mm)                     |
| Height On Legs<br>Height On Pedestal                       | 27-1/2" (699mm)<br>31" (787mm)       |
| Width  | 23-1/2" (597mm)                      |
| Depth (door opening to rear shield)<br>Back to Flue Center | 17-3/4" (451mm)<br>5-3/8" (137mm)    |
| Firebox (1.6 cu. ft.)                                      | 18" W x 14" D<br>(457mm W x 356mm D) |
| Maximum Output ❶   | 68,000 BTUs/hr.                      |
| Maximum Burn Times ❶                                       | 6–8 hrs.                             |
| Oregon DEQ Efficiency                                      | 70.2%                                |
| Heating Capacity ❶   | 700–1,400 sq. ft.                    |

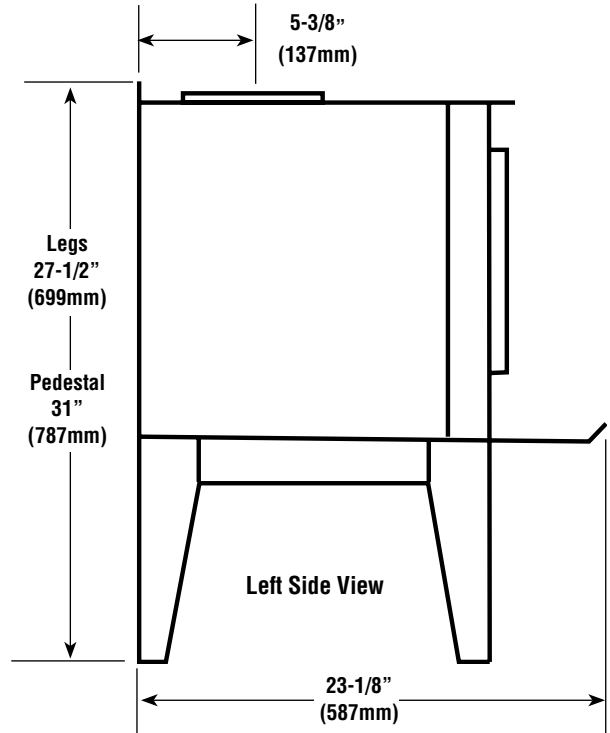
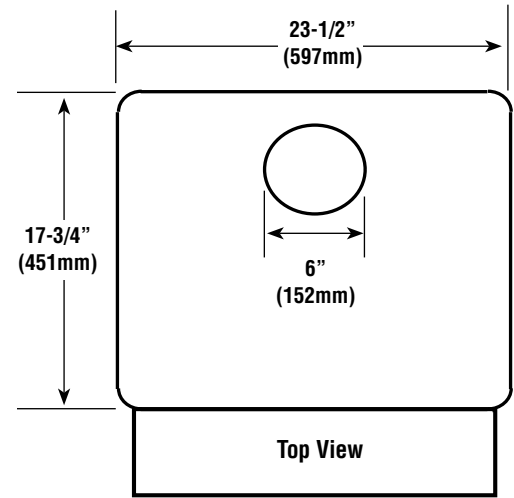
### NOTE:

- Dimensions shown are approximations only (+/- 1/4")
- Diagrams, illustrations and photographs are not to scale – consult installation instructions. Product designs, materials, dimensions, specifications, colors and prices are subject to change or discontinuance without notice.
- Approved for residential, manufactured home, and alcove installations.
- Optional Kits Available:  
Faceplate Kits  
Thermally Activated Blower Kit  
Outside Air Kit  
Leg Base (choice of black, gold, nickel, brushed gold or brushed nickel)  
Pedestal Base (choice of standard or with ash drawer)  
Heat Shield (required with leg base)

- ❶ Square-foot heating capacities and burn times are approximations only. Actual performance may vary depending upon home design and insulation, ceiling heights, climate, condition and type of wood used, appliance location, burn rate, accessories chosen, chimney installation and how the appliance is operated.

Notes

Dimensions



Listing

The Striker™ Model S160 wood stoves are safety listed with the following agency:

- Listing Agency: PFS Corporation. Listed to UL 1482, ULC S627



Report No. 14-186

EPA certification test emission value 1.6 g/hr per 2015 standard

# Striker™ Models S160T-B and S160A-B

Clearances - Refer to Diagrams A, B and C

| PIPE                        | INSTALLATION                          | A                    | B (1)        | C                    | D (1)            | E†          | F (1,4)         | G (4)                  |
|-----------------------------|---------------------------------------|----------------------|--------------|----------------------|------------------|-------------|-----------------|------------------------|
| 6" Single Wall              | Residential or Alcove                 | USA-16"<br>CAN-483mm | 14"<br>356mm | USA-21"<br>CAN-610mm | 12-1/2"<br>318mm | 8"<br>200mm | 9-3/4"<br>248mm | USA-18"<br>CAN-533mm   |
| 6" Single w/<br>Pipe Shield | Residential or Alcove                 | USA-10"<br>CAN-330mm | 8"<br>200mm  | USA-18"<br>CAN-533mm | 9-1/2"<br>241mm  | 8"<br>200mm | 5-1/2"<br>140mm | USA-13.5"<br>CAN-419mm |
| 6" Double Wall              | Residential or Alcove or Mobile Home* | USA-10"<br>CAN-330mm | 8"<br>200mm  | USA-18"<br>CAN-533mm | 9-1/2"<br>241mm  | 8"<br>200mm | 5-1/2"<br>140mm | USA-13.5"<br>CAN-419mm |

| PIPE                      | INSTALLATION                          | H (2)                    | J (2)                 | K                    | L                   | M             | NⓈ           | PⓈ           |
|---------------------------|---------------------------------------|--------------------------|-----------------------|----------------------|---------------------|---------------|--------------|--------------|
| Single Wall               | Residential or Alcove                 | USA-33.75"<br>CAN-1111mm | USA-36"<br>CAN-1003mm | USA-16"<br>CAN-450mm | USA 0"<br>CAN-200mm | 84"<br>2134mm | 30"<br>762mm | 36"<br>914mm |
| Single w/<br>Pipe Shield  | Residential or Alcove                 | USA-33.75"<br>CAN-1111mm | USA-36"<br>CAN-1003mm | USA-16"<br>CAN-450mm | USA 0"<br>CAN-200mm | 84"<br>2134mm | 30"<br>762mm | 36"<br>914mm |
| Double Wall<br>Air-Cooled | Residential or Alcove or Mobile Home* | USA-33.75"<br>CAN-1111mm | USA-36"<br>CAN-1003mm | USA-16"<br>CAN-450mm | USA 0"<br>CAN-200mm | 72"<br>1829mm | 30"<br>762mm | 36"<br>914mm |

† USA=8" (200mm) from door opening, Canada=8" (200mm) from sides and back of unit

Ⓢ Dimensions to Stove Body \* Mobile Home - USA only

Diagram A: Top View-Parallel Installation

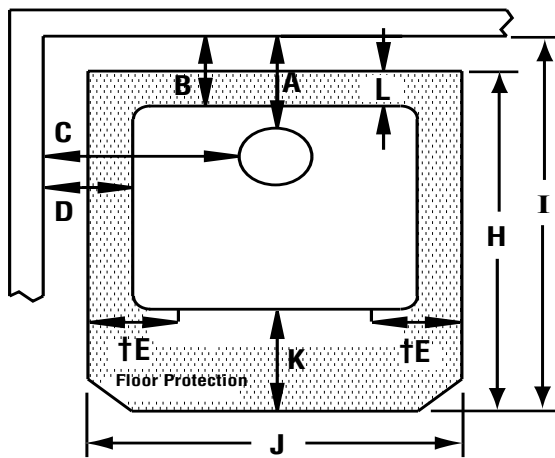
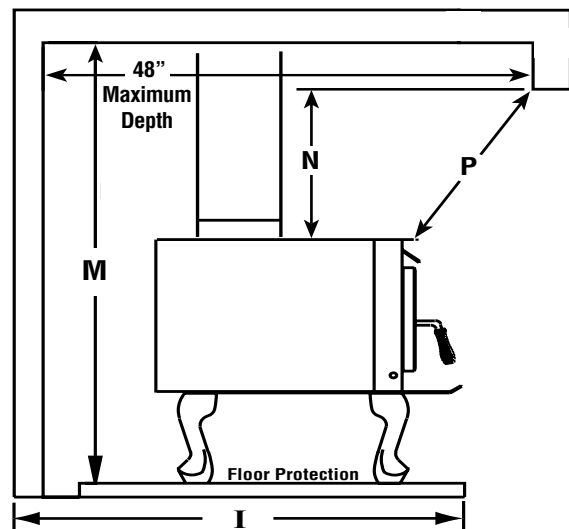


Diagram B: Side View-Alcove & Parallel Installation



Clearances

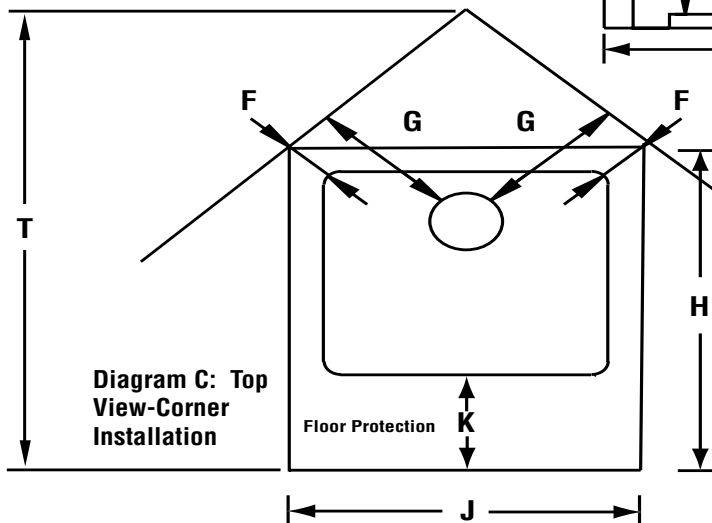


Diagram C: Top View-Corner Installation

**Footnotes:**

1. These dimensions to the stove body are for reference only. Actual distances should be measured from the stove's flue collar.
2. Minimum noncombustible hearth pad dimensions.
3. Shield shall be attached to the rear of the stove pipe with a 1" air space and must run from the top of the stove to the ceiling.
4. Not applicable to alcove installations.

Clearances to connector pipe shall be measured from the flue collar of the stove.

