

Canyon™ ST310



Appliance Specifications - Freestanding Wood Stoves

Product Reference Information			
Cat. No.	Description	Ship. Weight	Ship. Volume
H7888	ST310T-B, Wood Stove, Step Top, Traditional Black Door, Nickel Nameplate	525 lb.	26.8 cu. ft.

Specifications

Stove Pipe Diameter Single Wall or Double Wall	8" (203 mm) or optional 6" (152 mm)*
Log Length	22-1/2" Max. (572mm)
Height On Legs	38-1/2" (978mm)
Height On Pedestal	41-1/2" (1054mm)
Width	28-1/2" (724mm)
Depth (door opening to rear shield)	23-1/2" (597mm)
Back to Flue Center	7-1/4" (184mm)
Firebox (3.1 cu. ft.)	22-1/2"W x 19-1/2"D (572mm W x 495mm D)
Maximum Output ①	84,500 BTUs/hr.
Maximum Burn Times ①	7–12 hrs.
Oregon DEQ Efficiency	68.2%
Heating Capacity ①	2,000–3,500 sq. ft.

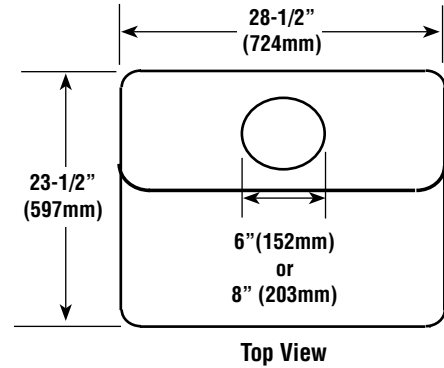
* Requires P/N 71134 reducer (8" to 6")

NOTES:

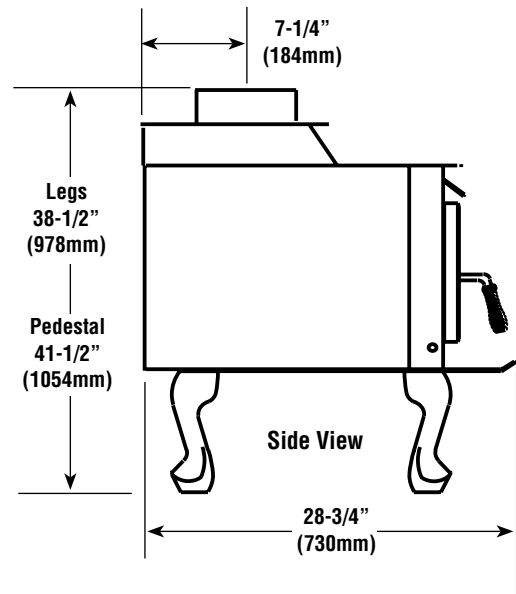
- Dimensions shown are approximations only (+/- 1/4")
- Diagrams, illustrations and photographs are not to scale – consult installation instructions. Product designs, materials, dimensions, specifications, colors and prices are subject to change or discontinuance without notice.
- Approved for residential, manufactured home, and alcove installations.
- Optional Kits Available:
Faceplate Kits
Thermally Activated Blower Kit (700-CFM)
Outside Air Kits
Leg Base (choice of black, gold, nickel, brushed gold or brushed nickel)
Pedestal Base (choice of standard or with ash drawer)
Heat Shield (required with leg base)

Notes

① Square-foot heating capacities and burn times are approximations only. Actual performance may vary depending upon home design and insulation, ceiling heights, climate, condition and type of wood used, appliance location, burn rate, accessories chosen, chimney installation and how the appliance is operated.



Dimensions



Listing

The Canyon™ Model ST310 wood stoves are safety listed with the following agency:

- Listing Agency: PFS Corporation. Listed to UL 1482, ULC S627



Report No. 14-183

EPA certification test emission value 3.5 g/hr per 2015 standard



Canyon™ ST310

Clearances - Refer to Diagrams A, B and C

PIPE	INSTALLATION	A	B(1)	C	D(1)	E†	F(1,4)	G(4)
Double Wall	Residential or Alcove	12" 305mm	9-1/2" 241mm	24" 610mm	14" 356mm	8" 200mm	7-1/4" 184mm	18" 450mm
6" or 8" Diameter	Mobile Home*	12" 305mm	9-1/2" 241mm	24" 610mm	14" 356mm	8" 200mm	7-1/4" 184mm	18" 450mm

PIPE	INSTALLATION	-H (2)	J (2)	K	L	M	N①
Double Wall	Residential or Alcove	USA-43-1/2" CAN-1308mm	USA-38" CAN-1130mm	20" 508mm	USA-0" CAN-200mm	72" 1829mm	39-1/2" 1003mm
6" or 8" Diameter	Mobile Home*	USA-43-1/2" CAN-1308mm	USA-38" CAN-1130mm	20" 508mm	USA-0" CAN-200mm	72" 1829mm	39-1/2" 1003mm

† USA=8" (200mm) from door opening, Canada=8" (200mm) from sides and back of unit

① Dimensions to Stove Body

* Mobile Home - USA only

Diagram A: Top View-Parallel Installation

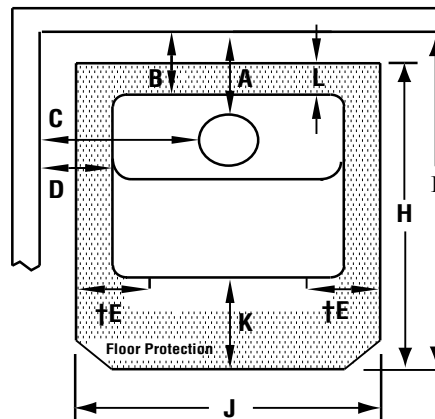
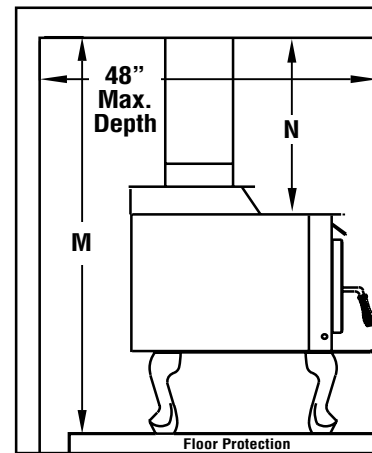


Diagram B: Side View-Alcove Installation



Clearances

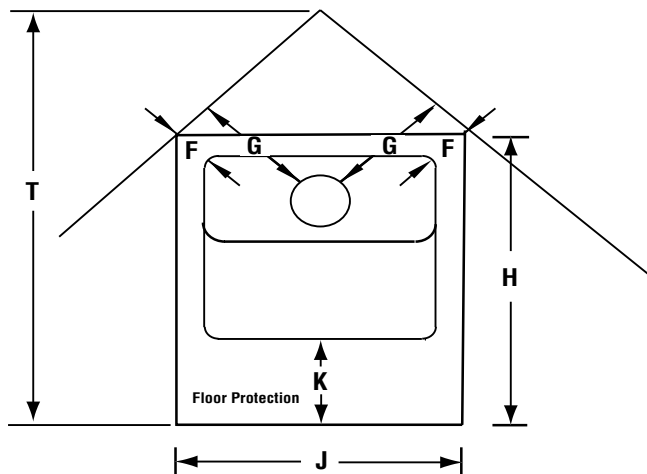


Diagram C: Top View-Corner Installation

Footnotes:

- 1 - These dimensions to the stove body are for reference only. Actual distances should be measured from the stove's flue collar.
- 2 - Minimum noncombustible hearth pad dimensions.
- 3 - Shield shall be attached to the rear of the stove pipe with a 1" air space and must run from the top of the stove to the ceiling.
- 4 - Not applicable to alcove installations.

Clearances to connector pipe shall be measured from the flue collar of the stove.