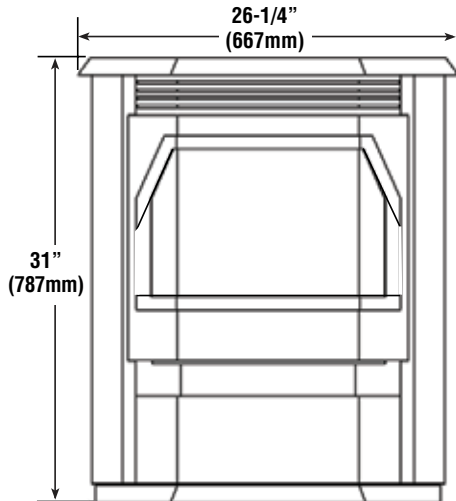


# Winslow™ Model PS40

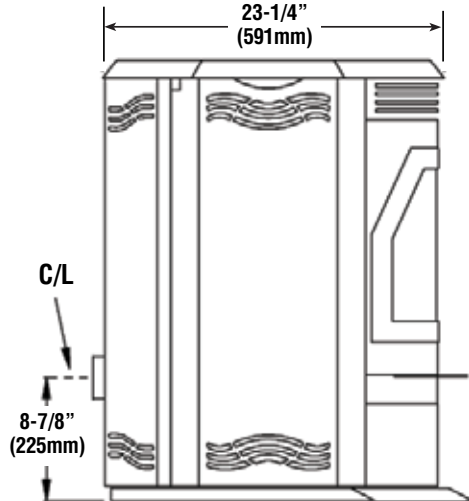
## Appliance Specifications

## FREESTANDING PELLET STOVE

Stove Dimensions



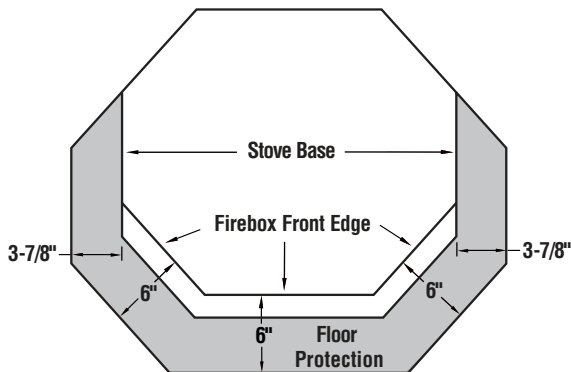
Front View



Side View

The floor protection must be a non-combustible material extending beneath the stove and to the front and sides as shown here.

Floor Protection



**NOTE:** Diagrams, illustrations and photographs are not to scale – consult installation instructions. Product designs, materials, dimensions, specifications, colors and prices are subject to change or discontinuance without notice.

Specifications and clearances are subject to change without notice. Refer to Installation and Operation Manual before installation of these appliances for updated dimensions and instructions.

Notes

The listing laboratory is PFS Corporation.  
Listed to ASTM E1509, ULC S628 and UL1482



Report No. 14-187

EPA certification test emission  
value 1.14 g/hr per 2015 standard

- Colorado Approved Pellet Stoves
- Canada Approved
- Manufactured (mobile) Home Approved
- Bedroom Approved

Listing

Specifications

Specifications	
Maximum BTU Output	39,800 BTU'S (4.7 lbs/hr)
Minimum BTU Output	15,120 BTU's (1.8 lbs/hr)
Room Air Blower	150 CFM
Hopper Capacity	60 lbs.
Flue Size	3"
Fuel	1/4" or 5/16" Dia. Wood Pellets or Corn Pellet Mix (up to 50/50 corn-to-pellet ratio)
Electrical	
Maximum Wattage	700
Igniter Wattage	400
Normal Operating Wattage	300

# Winslow™ Model PS40

## Product Reference Information

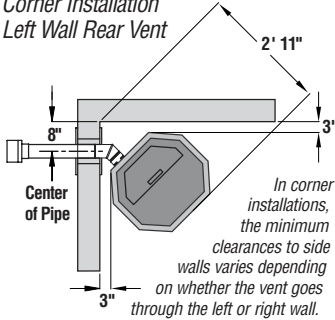
Cat. No.	Model	Ship. Weight	Ship. Volume
H9188	PS40	302 lb.	23.2 cu. ft.

Options

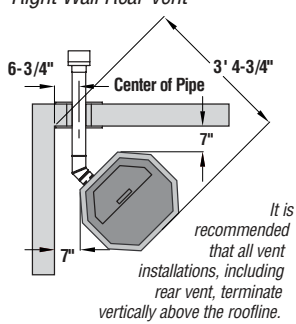
- Door Trim Kits and Grill Kits - Available in Black, Gold, Nickel, Brushed Nickel and Black Nickel
- Log Set
- Brick Panel Kit - Required
- Remote Controls, Wall Thermostat or Wall Countdown Timer

Clearances

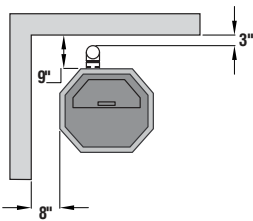
Corner Installation  
Left Wall Rear Vent



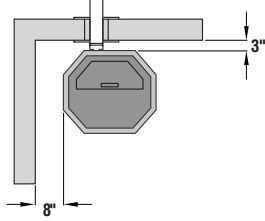
Corner Installation  
Right Wall Rear Vent



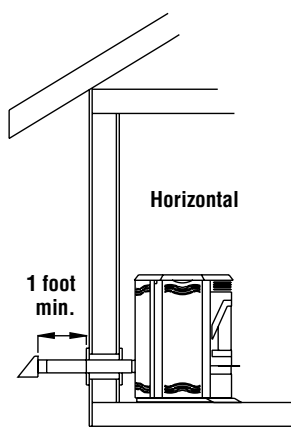
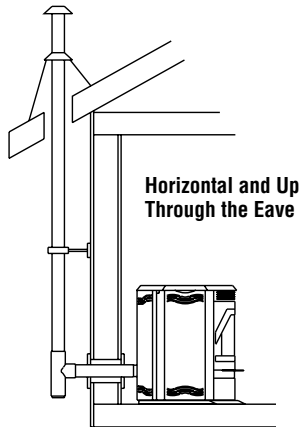
Parallel Installation  
Top Vent



Parallel Installation  
Rear Vent



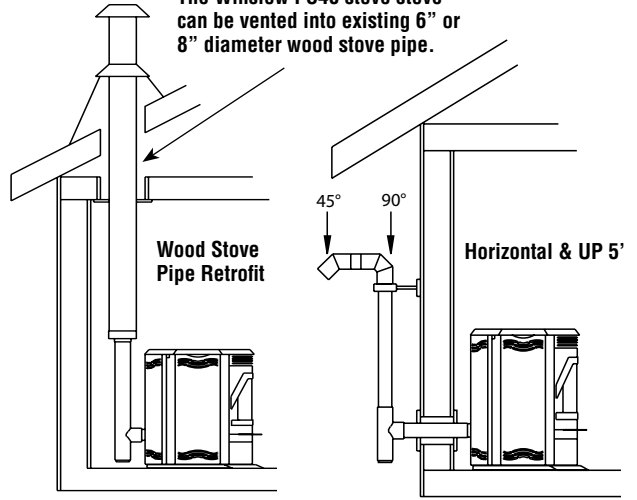
Vent Configurations



## Venting

This stove is approved for venting with Type L and Type PL pellet vent pipe. The flue collar on the stove accepts 3" diameter pipe.

The Winslow PS40 stove can be vented into existing 6" or 8" diameter wood stove pipe.



Vent Configurations

