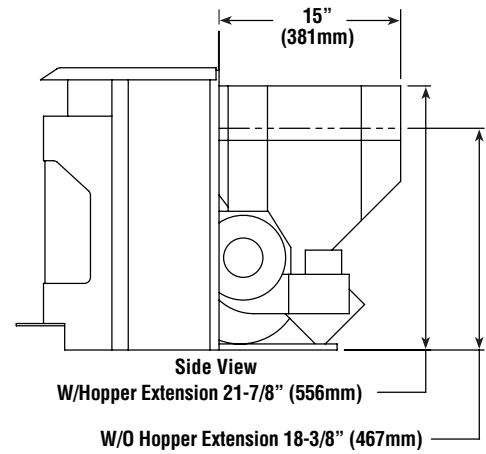
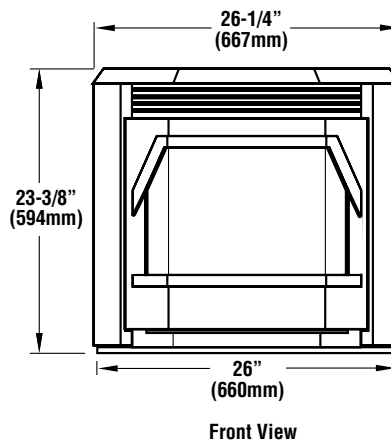
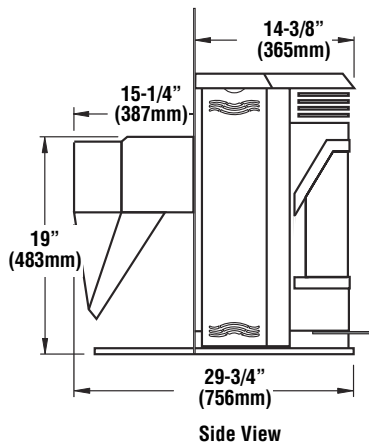


Winslow™ Model PI40

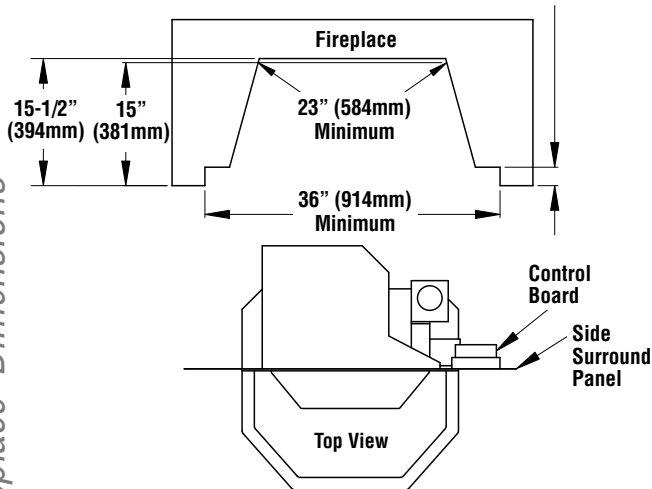
Appliance Specifications

PELLET FIREPLACE INSERT

Insert Dimensions



Fireplace Dimensions



Listing

The listing laboratory is PFS Corporation.
Listed to ASTM E1509, ULC S628 and UL1482



Report No. 14-188

EPA certification test emission
value 1.14 g/hr per 2015 standard

- Colorado Approved Pellet Stoves
- Canada Approved
- Manufactured (mobile) Home Approved
- Bedroom Approved

Notes

Minimum Fireplace Opening	
Minimum Height	18-3/8" (467 mm)
Minimum Width @ Front ❶	36" (914 mm)
Minimum Width @ Back	23" (584 mm)
Minimum Depth	15-1/2" (394 mm)
❶ (extends back 2-1/2")	

NOTE: Diagrams, illustrations and photographs are not to scale – consult installation instructions. Product designs, materials, dimensions, specifications, colors and prices are subject to change or discontinuance without notice.

Specifications and clearances are subject to change without notice. Refer to Installation and Operation Manual before installation of these appliances for updated dimensions and instructions.

Specifications

Specifications	
Maximum BTU Output	39,800 BTU'S (4.7 lbs/hr)
Minimum BTU Output	15,120 BTU's (1.8 lbs/hr)
Room Air Blower	150 CFM
Hopper Capacity	55 lbs. ❷
Flue Size	3"
Fuel	1/4" or 5/16" Dia. Wood Pellets or Corn Pellet Mix (up to 50/50 corn-to-pellet ratio)
Electrical	
Maximum Wattage	700
Igniter Wattage	400
Normal Operating Wattage	300
❷ Can be reduced to 40lb. capacity to fit into small fireplace openings	

Winslow™ Model PI40

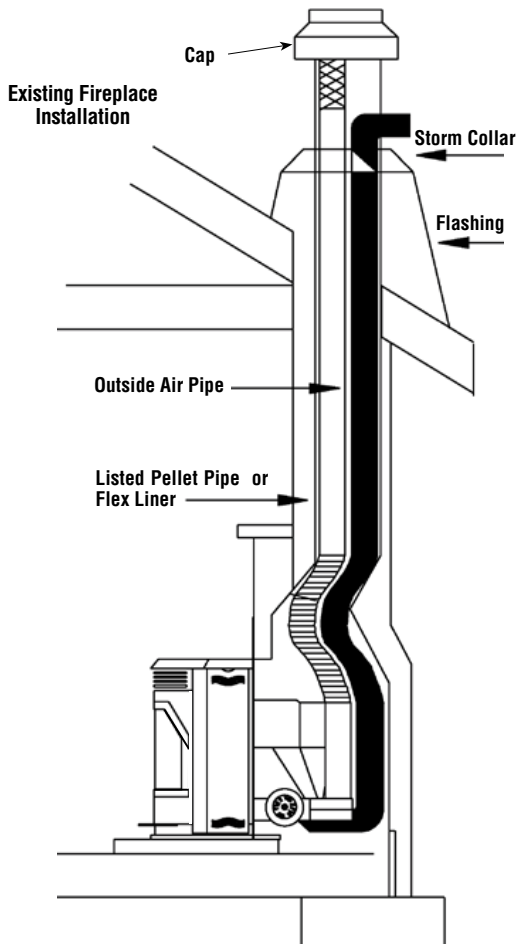
Product Reference Information

Cat. No.	Model	Ship. Weight	Ship. Volume
H5141	PI40	265 lb.	20.7 cu. ft.

Options

- Surround Panel Kits - 29 x 41", 29 x 48", 33 x 41" and 33 x 48"
- Surround Panel Trim Kits - Available in Black, Gold and Nickel
- Door Trim Kit and Grill Kits - Available in Black, Gold, Nickel, Brushed Nickel and Black Nickel
- Zero-Clearance Kit – Allows the insert to be framed into a wall during construction or a remodel.
- Front Support Kit – Extends the surrounds and supports the insert for a finished appearance in elevated installations
- Log Set
- Brick Panel Kit - Required
- Remote Controls, Wall Thermostat or Wall Countdown Timer.

Typical Installation



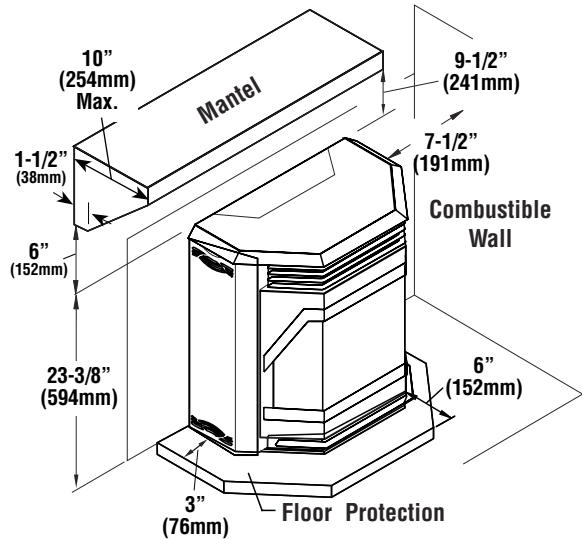
Venting

Venting

This appliance is approved for venting with Type L and Type PL pellet vent pipe. The flue collar on the fireplace insert accepts 3" diameter pipe. The vent pipe can be installed vertically or horizontally.

* This appliance is approved to be framed into a wall during construction or a remodel if an optional Zero-Clearance Kit is used.

Clearances

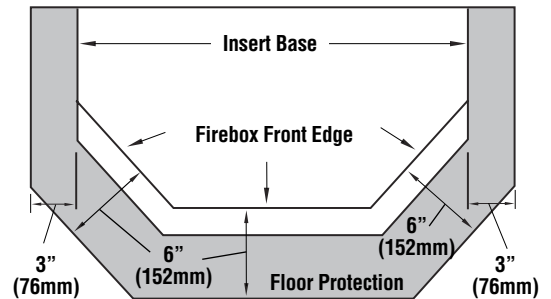


Hearth Protection

The floor protector must be a non-combustible material extending beneath the insert from the surround panels forward and to the front and sides as shown here. If anything other than a masonry hearth is used in the installation you must use the Heat Kit (Part number 79024).

Floor Protection Requirements

Hearth Protection (shaded gray)



Minimum Size Floor Protection

