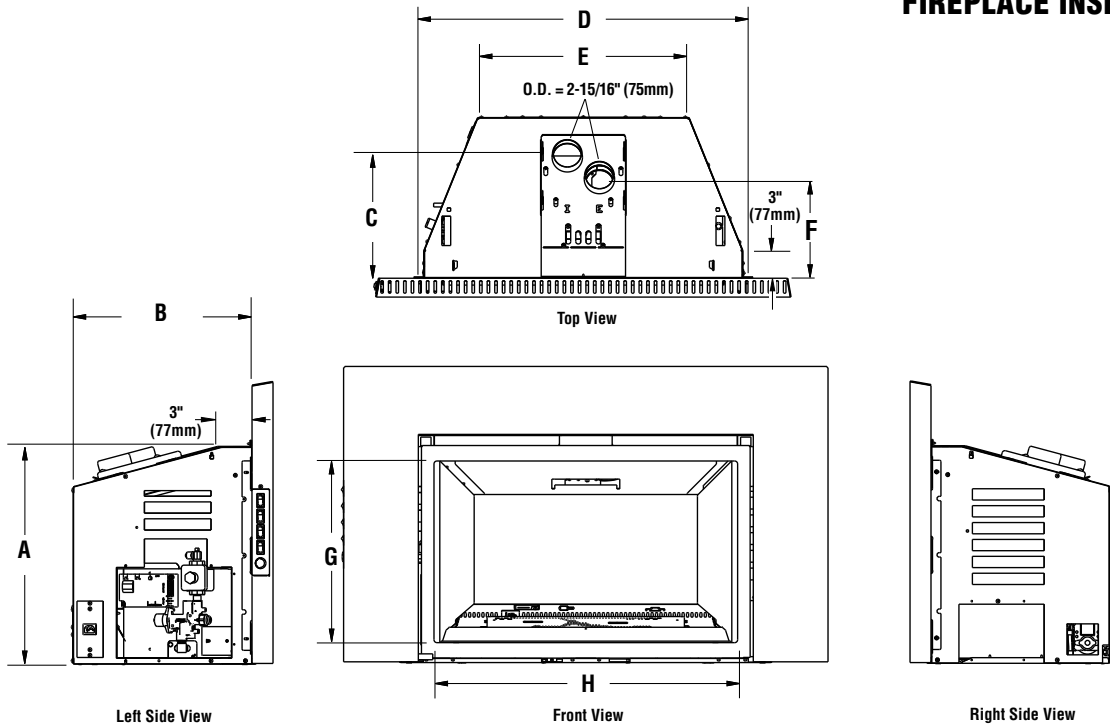


Bellevue™ 27

Appliance Specifications

DIRECT-VENT FIREPLACE INSERT

Insert Dimensions



Model	A	B	C	D	E	F	G	H
Bellevue 27	17-7/8" (454mm)	14-7/8" (378mm)	10-7/8" (276mm)	26-5/8" (676mm)	16-3/4" (425mm)	8-3/4" (222mm)	14-3/8" (365mm)	20-3/4" (527mm)

Insert Clearances

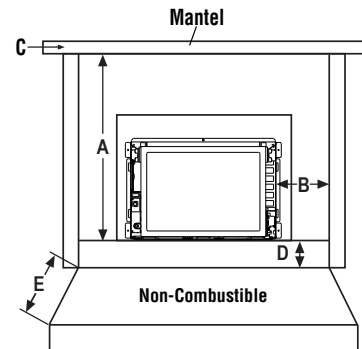
MINIMUM FIREPLACE SIZES REQUIRED **Bellevue 27**
 Front Opening Width * 27" (686mm)
 Height 18" (457mm)
 Rear Width 17" (432mm)
 Depth 15" (381mm)

MINIMUM CLEARANCES TO COMBUSTIBLES
 A = Mantel 32" (813mm)
 B = Side Wall 4" (102mm)
 C = Mantel Depth 10" (254mm)

HEARTH PROTECTION
 D = Vertical Distance from base of appliance to Hearth Extension 0" (0mm) | 4" (102mm)
 E = Minimum Horizontal Distance from Front of Appliance 10" (254mm) | 0" (0mm)

* The front opening width of the fireplace must be maintained to a 3" depth into the fireplace firebox.

MINIMUM CLEARANCES



Efficiencies		
	Natural Gas	Propane Gas
AFUE	78%	75%
EnerGuide P4	73%	73%

NOTE: Efficiency varies slightly with various pipe configurations.

NOTE: Diagrams, illustrations and photographs are not to scale – consult installation instructions. Product designs, materials, dimensions, specifications, colors and prices are subject to change or discontinuance without notice.

Listing Information



Report # F17-137

This insert has been tested and certified to ANSI Z21.88 / CSA 2.33 Standard for Vented Gas Fireplace Heater and CGA 2.17-M91 and UL 307B Gas Burning Heating Appliances for Manufactured (Mobile) Homes in both USA and Canada.



Bellevue™ 27

Product Information

Product Reference Information			
Cat. No.	Description	Ship. Weight	Ship. Volume
F3406	Bellevue™ 27, 27" Small Insert	87.5 lbs	12.22 cu. ft.

The existing fireplace chimneys may take various contours which the flexible liners will accommodate. However, keep the flexible liner STRAIGHT and avoid bending. When at maximum vertical height, standing pilot should be used for correct operation.

Liner Requirements:

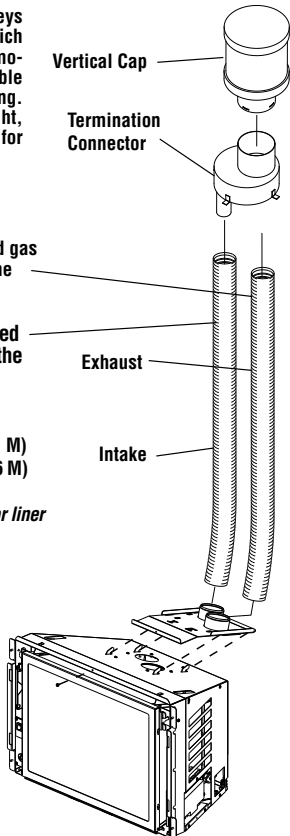
Use 3" (77 mm) diameter listed gas vent liner (UL1777 ONLY) for the EXHAUST

Use 3" (77 mm) diameter listed liner (UL 181 or UL1777) for the AIR INTAKE.

Vertical Height Min. = 10 ft. (3.1 M)
Vertical height Max. = 25 ft. (7.6 M)

NOTE: Measured from base on unit to the end of the vent pipe or liner

The flexible vent pipe must NOT be allowed to sag behind insert or in fireplace flue.



Typical Installation

Standard Features

- Electronic ignition with optional continuous pilot mode.
- Battery back-up in case of power outage
- Standard 140-CFM variable-speed blower delivers warm, consistent heat

Vent Kits

Simpson Dura Vent -

Flex Liner 3" X 35' - #3DFA-35

Adaptor w/ Flashing - #46DVA-GK

Termination Cap - #46DVA-VCH With #460 DVA-VWG

Termination Cap - #460DVA-VC

Co-Linear Kit w/ 3" X 35' Flex Liner (Intake and Exhaust), Adaptor, Flashing and Termination Cap - #46DVA-CL33

Selkirk -

Termination Cap - #4DT-VT

Vent Adaptor - #4DT-CTB

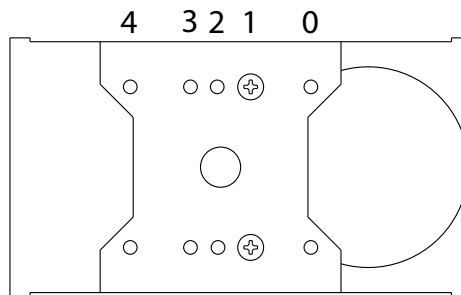
Venting - 3' x 35' #AF35-03

Venting - 3' x 25' # AF25-03

Venting - 3' x 15' # AF15-03

Flue Restrictor Adjustment

1. Using a phillips screwdriver, remove the two screws holding the flue restrictor in place.
2. Refer to table below and position the flue restrictor to the recommended setting and reattach with the two screws removed in step 1.



NOTE: Setting 0 is open, and setting 3 is closed.

	Venting Height	Position
Natural Gas (NG)	20' or less	# 2
	20' & up	# 2
Propane (LP)	10' - 15'	# 0
	15' - 25'	# 0

Flue Restrictor

Full Front Facade Kits - One Required

3 Sided, 26" x 37"

3 Sided, 30" x 41"

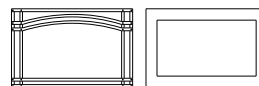
4 Sided, Trimmable 46" x 38"

Decorative Accent Trim

Iron Rail

Highliner

Frontier



Iron Rail

Highliner



Frontier

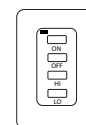
Optional Ecoflow Control Kits

Basic Remote Control, On/Off, IPI/CPI

Wireless Wall Switch, On/Off, High/Low



Basic Remote



Wireless Wall Switch

Options