

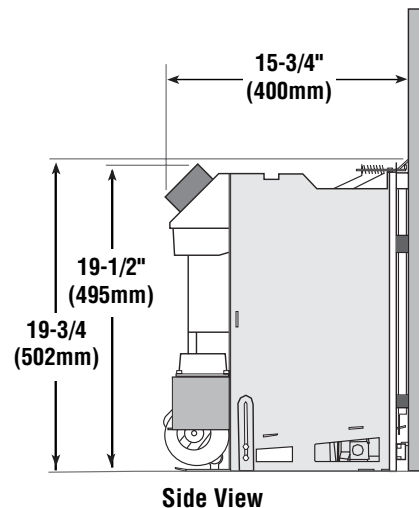
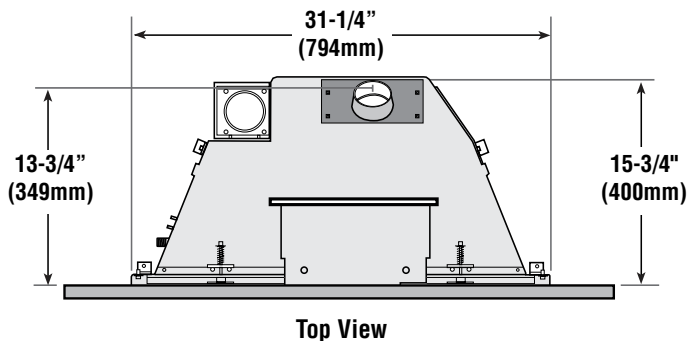
Ravenna™ RDV33/40

Appliance Specifications

DIRECT-VENT FIREPLACE INSERT

Millivolt

Insert Dimensions



The Ravenna™ fireplace insert is factory equipped for 40,000 BTU input and can be converted to 33,000 using the smaller orifice (optional kit).

Insert Dimensions	
Width of insert behind Surround Panels	31-1/4" (794mm)
Rear height	19-3/4" (502mm)
Insert depth into fireplace	16" (406mm)
Flue collar diameter (OD)	2-15/16" (75mm)



Report No. 14-164

Canadian EnerGuide Rating - NG-65.55%, LP-67.80%

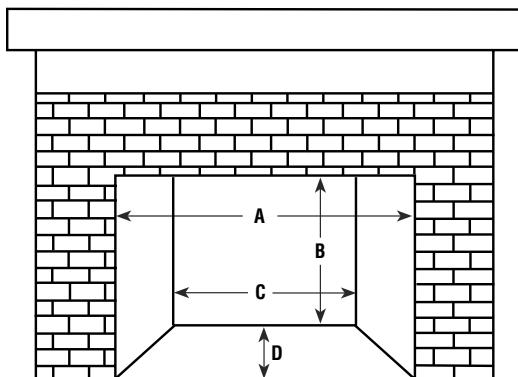
This insert has been tested and certified to ANSI Z21.88 / CSA 2.33 Standard for Vented Gas Fireplace Heater and CGA 2.17-M91 and UL 307B Gas Burning Heating Appliances for Manufactured (Mobile) Homes in both USA and Canada.

Listing Information

Minimum Fireplace Opening	
A	31-1/2" (800mm) Front Opening
B	19-1/2" (495mm) Height
C	18" (457mm) Rear Width
D	16" (406mm) Fireplace Depth
* Top air duct will need to be removed for short ZC applications. Replace tap tights when removed.	

Input (BTU) - Millivolt Models		
Fuel	RDV40	RDV33
	Input Rate (BTU / HR)	
Natural Gas	40,000/28,000	33,000/24,000
Propane	37,500/26,000	33,000/24,000

Fireplace Dimensions



NOTE: Diagrams, illustrations and photographs are not to scale – consult installation instructions. Product designs, materials, dimensions, specifications, colors and prices are subject to change or discontinuance without notice.

Ravenna™ RDV33/40

Product Reference Information			
Cat. #	Model	Ship. Wt.	Ship. Volume
H6967	RAV33/40DVI-C	136 lb.	17.76 cu. ft.

Decorative Faces (one required)

Contemporary Face-Black
Contemporary Face-Mink
Cast Pillar Facade kit

Misc. Options

Remote Controls
Digital Wall Thermostat
Round Black On/Off Switch Cover Plate
ZC Lower Finish Panel/Reg Face Support
ZC Front Support Extension

Surround Kits (one required)

- Traditional 1-pc. (41"W x 29"H)
- Traditional 3-pc. (41"W x 29"H, 48"W x 29"H, 41"W x 33"H or 48"W x 33"H)
- Cast Iron (45-1/2"W x 30"H-Cast Pillar face only)

Firebox Liner Kits (one required)

- Tan Brick
- Architectural Stone
- Red Brick

- Realistic log set
- Heavy, 14-gage aluminized steel firebox construction
- Approved for zero-clearance (metal) and masonry fireplaces

- Operates without power – still heats during a power outage
- Standard 155-CFM variable-speed blower delivers warm, consistent heat

The standard cap in Termination Kit, TKDVI, is a high wind cap

Vertical Cap

Termination Connector

Liner Requirements:

Use 3" (77 mm) diameter listed gas vent liner (UL1777 ONLY) for the EXHAUST

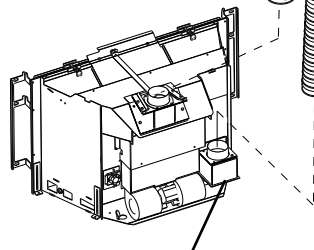
Use 3" (77 mm) diameter listed liner (UL 181 or UL1777) for the AIR INTAKE.

Exhaust

Intake

Vertical Height Min. = 10 ft. (3.1 M)
Vertical height Max. = 35 ft. (10.7 M)

NOTE: Measured from flue collar on unit to the end of the vent pipe or liner



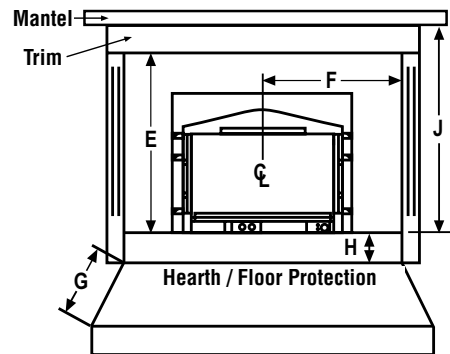
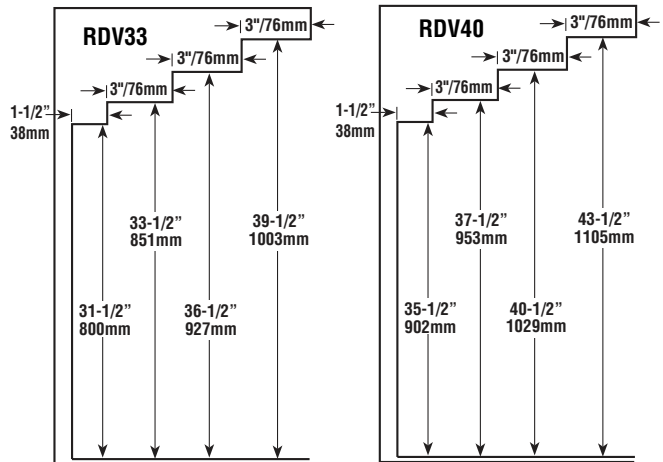
Combustion Air Intake

Options

Standard Features

Typical Installation

Facing and Mantel Clearances



- E = From Top Facing or Mantel to Bottom of Insert - RDV40 = 35-1/2" (902mm) and RDV33 = 31-1/2" (800mm)
- F = 25-1/2" From Center of Glass Door to Side Facing or Wall - RDV40 = 25.5" (648mm) and RDV33 = 25.5" (648mm)
- J = 10.5" (267mm) Mantel to Bottom of Insert - RDV40 = 43" (1092mm) and RDV33 = 39" (991mm)

Hearth Protection

- G = Minimum Hearth Protection from Front of Insert*
- H = Vertical Distance from Insert Bottom to Combustible Material.

RDV40	G	14" (356mm)	10" (254mm)	0" (0mm)
	H	0" (0mm)	2" (21mm)	4" (102mm)
RDV33	G	13" (330mm)	10" (254mm)	0" (0mm)
	H	0" (0mm)	2" (21mm)	4" (102mm)

Insert Clearances